

We are so happy you chose a
hama product.

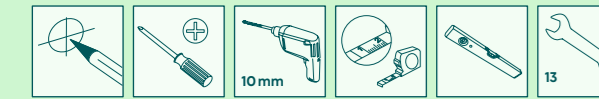
Enjoy using it!

hama



Quick Installation Guide

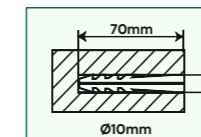
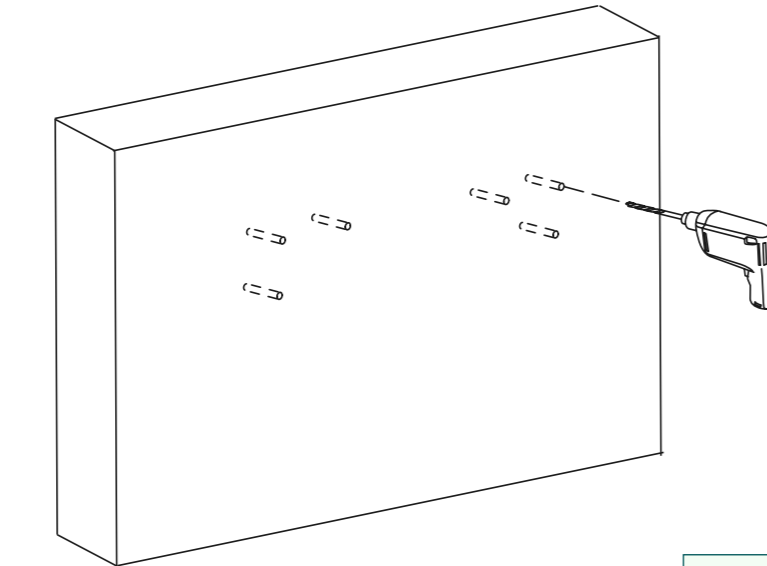
Required tools



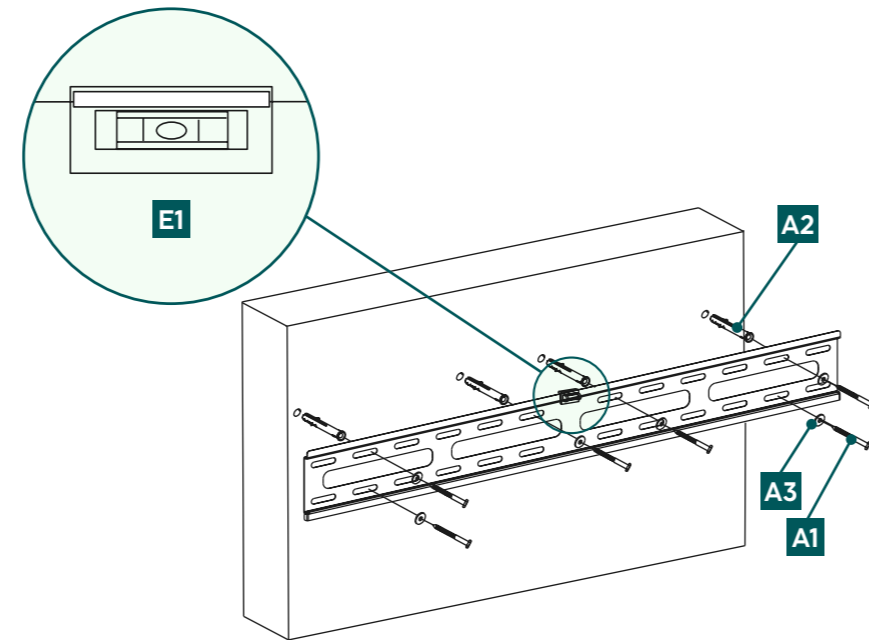
Installation kit

A1		8x70 (x6)	C2		M6x20 (x4)
A2		Ø10x60 (x6)	D1		M8x12 (x4)
A3		M8 (x6)	D2		M8x20 (x4)
B1		M6 (x4)	D3		M8x30 (x4)
B2		Ø8x10 (x4)	D4		M8x50 (x4)
B3		Ø8x20 (x4)	E1		(x1)
C1		M6x12 (x4)			

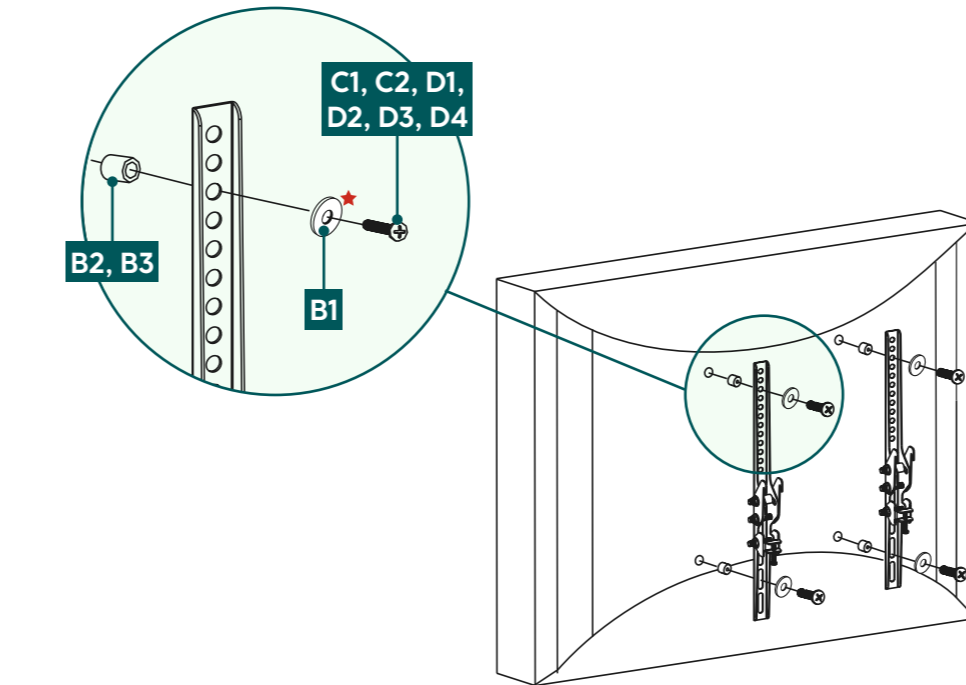
1 Drilling the holes



2 Wall mounting the bracket



3 Mounting on backside of the TV



Flat TV backside

C1, D1, D4 + B1

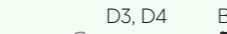


Curved TV backside

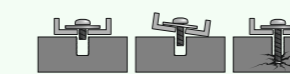
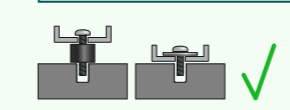
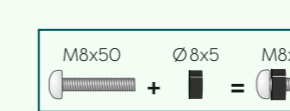
C2, D2, D4 + B1 + B2



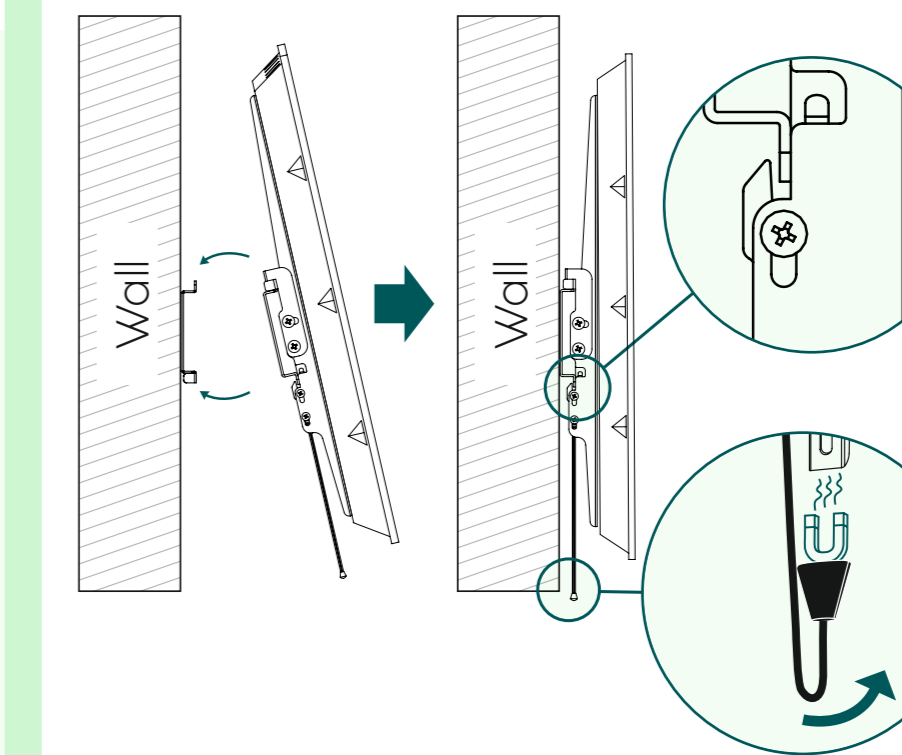
D3, D4 + B3



★ You do not need a washer for the D-screws



4 Adjustment & Fixing



Do you need more help?



Scan QR or visit:
support.hama.com/00220816

