

We are so happy you chose a
hama product.

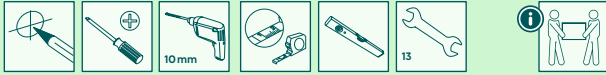
Enjoy using it!

hama



Quick Installation Guide

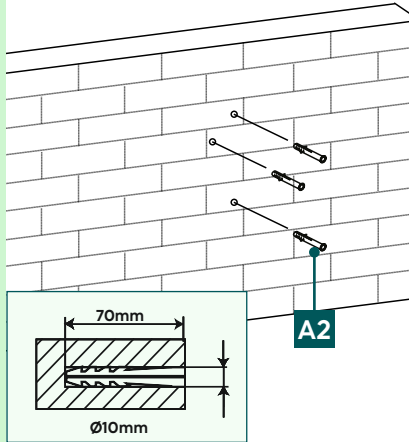
Required tools



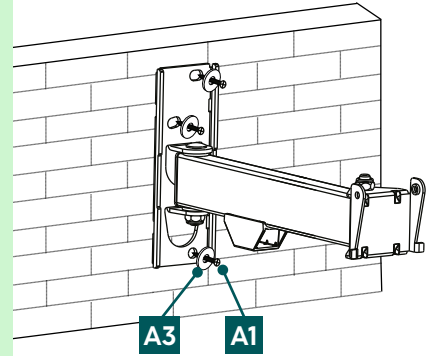
Installation kit

A1		8x60 (x3)	D1		M8x12 (x4)
A2		Ø10x60 (x3)	D2		M8x20 (x4)
A3		M8 (x3)	D3		M8x30 (x4)
B1		M6 (x4)	E1		M4x12 (x4)
B2		Ø8x10 (x4)	E2		M4x20 (x4)
B3		Ø8x20 (x4)	E3		M4x45 (x4)
C1		M6x12 (x4)	F1		M6x12 (x2)
C2		M6x20 (x4)	F2		M6 (x2)

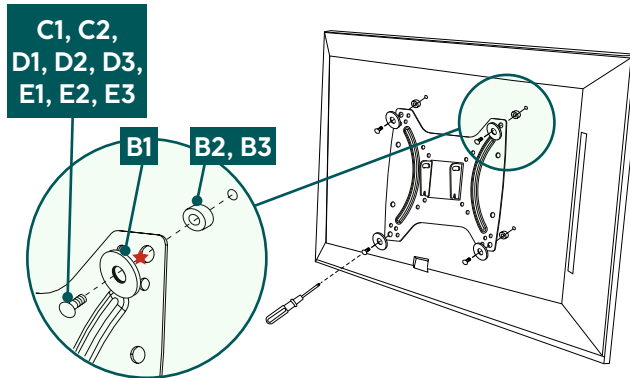
1a Drilling the holes



1b Wall mounting the bracket



2 Mounting on backside of the TV



Flat TV backside

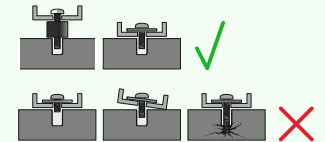
C1, D1, E1, E3 + B1

Curved TV backside

C2, D2, E2, E3 + B1 + B2

D3, E3 + B1 + B3

★ You do not need a washer for the D-screws



Do you need more help?



Scan QR or visit: www.hama.com
 ➔ Q ➔ 00220821 ➔ Downloads



PAP
Raccolta Carta