

We are so happy you chose a
hama product.

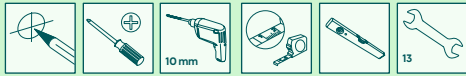
Enjoy using it!

hama



Quick Installation Guide

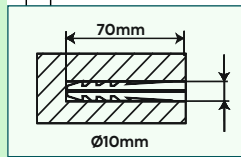
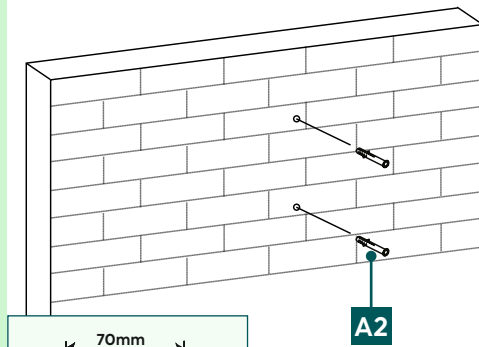
Required tools



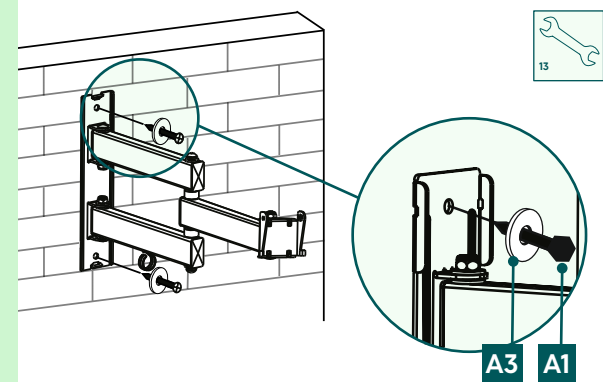
Installation kit

A1		8x60 (x2)	D2		M8x20 (x4)
A2		Ø10x60 (x2)	D3		M8x30 (x4)
A3		M8 (x2)	E1		M4x12 (x4)
B1		M6 (x4)	E2		M4x20 (x4)
B2		Ø8x10 (x4)	E3		M4x45 (x4)
B3		Ø8x20 (x4)	F1		M6x12 (x2)
C1		M6x12 (x4)	F2		M6 (x2)
C2		M6x20 (x4)	F3		(x2)
D1		M8x12 (x4)			

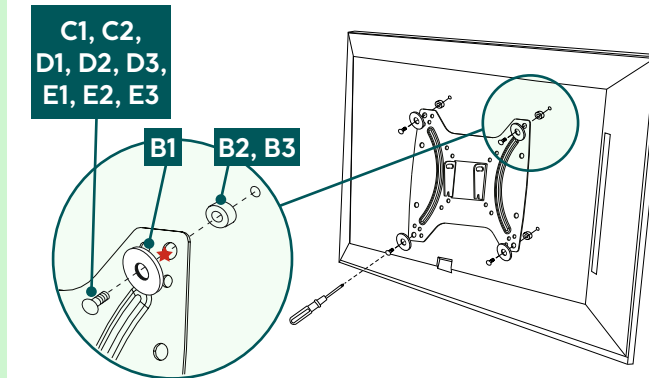
1a Drilling the holes



1b Wall mounting the bracket



2 Mounting on backside of the TV



Flat TV backside

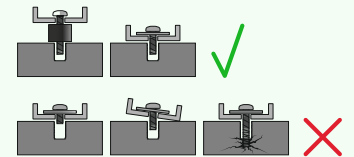
C1, D1, E1, E3 + B1

Curved TV backside

C2, D2, E2, E3 + B1 + B2

D3, E3 + B3

★ You do not need a washer for the D-screws

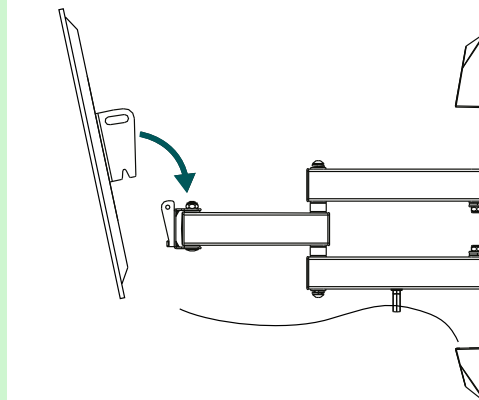


Do you need more help?



Scan QR or visit: www.hama.com
 ➔ Q ➔ 00220822 ➔ Downloads

3a Adjustment



3b Fixing

